

# S150120RCM

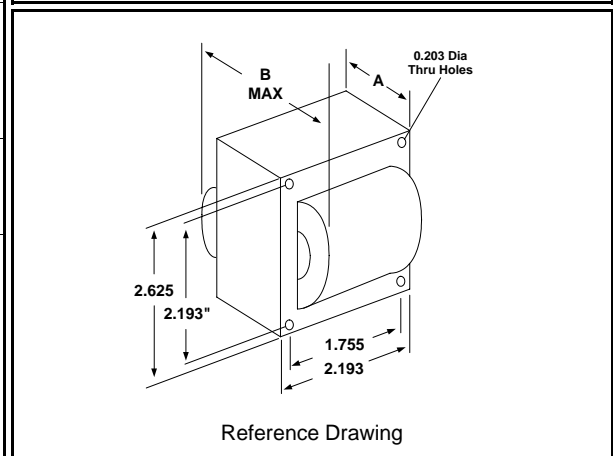
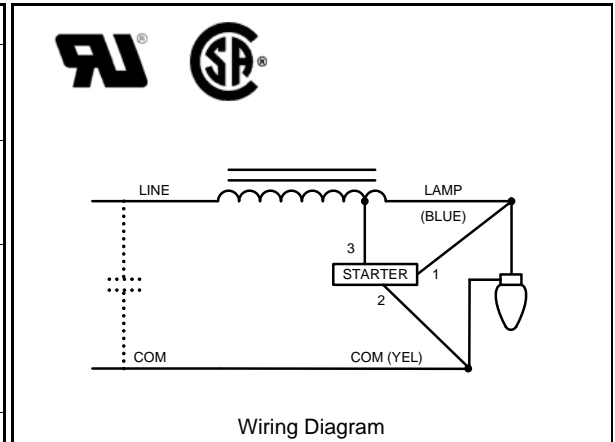
150W S55

High Pressure Sodium

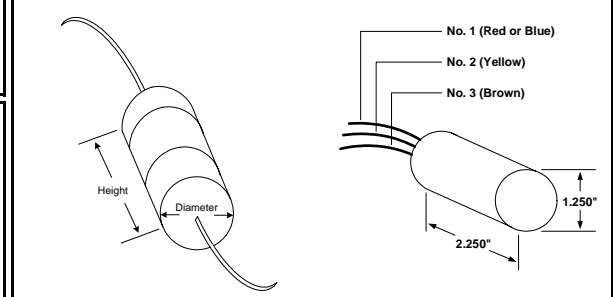
60Hz Reactor

## Specification Sheet

<b>Input Volts</b>	120	120			
<b>Regulation</b>					
Line Volts	±5%	±5%			
Lamp Watts	±10%	±10%			
Power Factor (min)	90%	-			
Input Watts	170 W	170 W			
NOM. Open Circuit Voltage	120 V	120 V			
<b>Line Current (Amps)</b>					
Operating	1.50	3.10			
Open Circuit	2.35	-			
Starting	1.80	4.40			
Recommended Fuse (Amps)	6	12			
Lamp Dropout Voltage (Line)	90 V	90 V			
<b>UL Temperature Ratings</b>					
Insulation Class	H (180°C)	H (180°C)			
Temperature Code	A	A			
MIN. Starting Temperature	-40°F -40°C	-40°F -40°C			
<b>CAPACITOR Specifications</b>					
Microfarads	52 uf	-			
Volts (min.)	120 V	-			
<b>60Hz Test Procedures</b>					
High Potential Test 1 Minute	2000 V	2000 V			
High Potential Test 1 Second	2500 V	2500 V			
Secondary Open Ckt Voltage (V)	108 - 132	108 - 132			
Secondary Current Shorted (A)	3.75 - 4.60	3.75 - 4.60			
Input Operating Current (A)	1.35 - 1.65	2.75 - 3.40			
Input Open Circuit Current (A)	2.05 - 2.70	- - -			
Input Short Circuit Current (A)	1.35 - 2.30	3.75 - 4.00			
<b>Core and Coil Specifications</b>					
Dimension A	2.00 in	2.00 in			
Dimension B	3.05 in	3.05 in			
Weight	3.25 lbs	3.25 lbs			
Lead Lengths (inches)	12-14	12-14			
Coil Material (Pri. / Sec.):	Cu	Cu			



<b>Capacitor: 005-1888-RMF</b>	<b>Ignitor: HPS150-3A</b>
Max Case Temp: 100 °C	Max Case Temp 105 °C
Height: 2.25 in	BTL: 3 ft
Width / Diameter: 1.87 in	



Oil Cap. - P/N R17058503 Consult Catalog for Specs.

Document #:	010-10820-04
Date:	11/17/2008
Status:	Production
Replaces Catalog #:	1233-154U

Data is based upon tests performed by Universal Lighting Technologies in a controlled environment and is representative of relative performance. Actual performance may vary depending on operating conditions. Specifications are subject to change without notice.